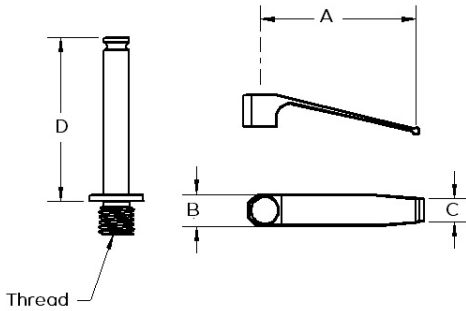
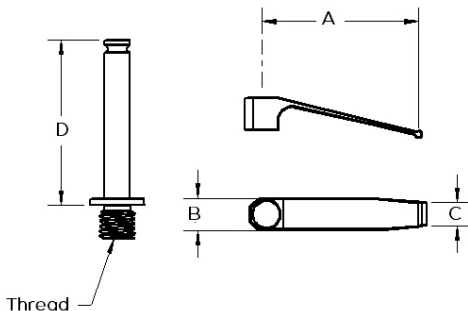


Small Tension Spring



Part Number	Thread	A	B	C	D
R20-ST5-15	1/4-20	15"	0.3"	0.125"	15"
R20-ST5-3	1/4-20	15"	0.3"	0.125"	3"
R20-ST5-15-RT (Rubber Tipped)	1/4-20	15"	0.3"	0.125"	15"
R20-ST5-3-RT (Rubber Tipped)	1/4-20	15"	0.3"	0.125"	3"
R8-ST5-38	M8	38 mm	7.62 mm	3.29 mm	38 mm
R8-ST5-75	M8	38 mm	7.62 mm	3.29 mm	75 mm
R8-ST5-38-RT (Rubber Tipped)	M8	38 mm	7.62 mm	3.29 mm	38 mm
R8-ST5-75-RT (Rubber Tipped)	M8	38 mm	7.62 mm	3.29 mm	75 mm
R6-ST5-38	M6	38 mm	7.62 mm	3.29 mm	38 mm
R6-ST5-75	M6	38 mm	7.62 mm	3.29 mm	75 mm
R6-ST5-38-RT (Rubber Tipped)	M6	38 mm	7.62 mm	3.29 mm	38 mm
R6-ST5-75-RT (Rubber Tipped)	M6	38 mm	7.62 mm	3.29 mm	75 mm
R4-ST5-25	M4	38 mm	7.62 mm	3.29 mm	25 mm
R4-ST5-50	M4	38 mm	7.62 mm	3.29 mm	50 mm
R4-ST5-25-RT (Rubber Tipped)	M4	38 mm	7.62 mm	3.29 mm	25 mm
R4-ST5-50-RT (Rubber Tipped)	M4	38 mm	7.62 mm	3.29 mm	50 mm

Large Tension Spring



Part Number	Thread	A	B	C	D
R20-LTS-15	1/4-20	2.30"	0.5"	0.3"	15"
R20-LTS-3	1/4-20	2.30"	0.5"	0.3"	3"
R20-LTS-15-RT (Rubber Tipped)	1/4-20	2.30"	0.5"	0.3"	15"
R20-LTS-3-RT (Rubber Tipped)	1/4-20	2.30"	0.5"	0.3"	3"
R8-LTS-38	M8	58 mm	12.7 mm	6.5 mm	38 mm
R8-LTS-75	M8	58 mm	12.7 mm	6.5 mm	75 mm
R8-LTS-38-RT (Rubber Tipped)	M8	58 mm	12.7 mm	6.5 mm	38 mm
R8-LTS-75-RT (Rubber Tipped)	M8	58 mm	12.7 mm	6.5 mm	75 mm
R6-LTS-38	M6	58 mm	12.7 mm	6.5 mm	38 mm
R6-LTS-75	M6	58 mm	12.7 mm	6.5 mm	75 mm
R6-LTS-38-RT (Rubber Tipped)	M6	58 mm	12.7 mm	6.5 mm	38 mm
R6-LTS-75-RT (Rubber Tipped)	M6	58 mm	12.7 mm	6.5 mm	75 mm
R4-LTS-25	M4	58 mm	12.7 mm	6.5 mm	25 mm
R4-LTS-50	M4	58 mm	12.7 mm	6.5 mm	50 mm
R4-LTS-25-RT (Rubber Tipped)	M4	58 mm	12.7 mm	6.5 mm	25 mm
R4-LTS-50-RT (Rubber Tipped)	M4	58 mm	12.7 mm	6.5 mm	50 mm