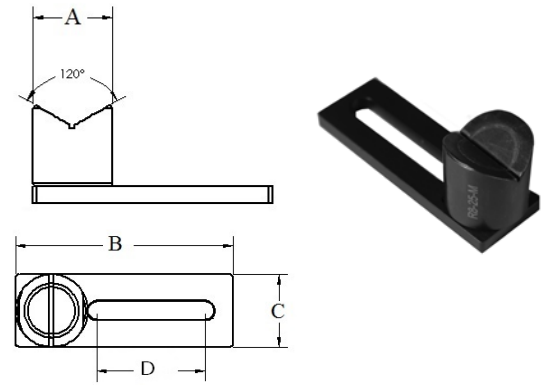


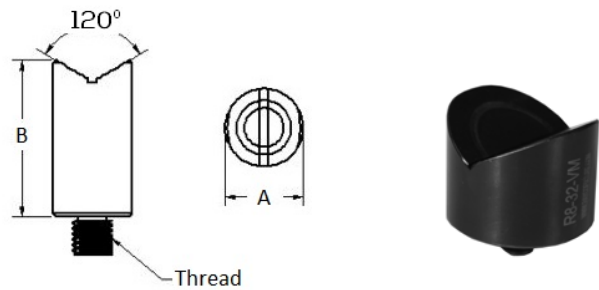
Part Number	Thread	A	B	C	D
R20-50-VMB	1/4-20	0.50"	3"	1"	1.50"
R20-75-VMB	1/4-20	0.75"	3"	1"	1.50"
R20-1-VMB	1/4-20	1"	3"	1"	1.50"
R20-125-VMB	1/4-20	1.25"	3"	1"	1.50"
R8-13-VMB	M8	13 mm	75 mm	25 mm	36 mm
R8-19-VMB	M8	19 mm	75 mm	25 mm	36 mm
R8-25-VMB	M8	25 mm	75 mm	25 mm	36 mm
R8-32-VMB	M8	32 mm	75 mm	25 mm	36 mm
R6-13-VMB	M6	13 mm	75 mm	25 mm	36 mm
R6-19-VMB	M6	19 mm	75 mm	25 mm	36 mm
R6-25-VMB	M6	25 mm	75 mm	25 mm	36 mm

V-Magnets with Base



Part Number	Thread	A	B
R20-50-VM	1/4-20	0.50"	1"
R20-75-VM	1/4-20	0.75"	1"
R20-1-VM	1/4-20	1"	1"
R20-125-VM	1/4-20	1.25"	1"
R8-13-VM	M8	13 mm	25 mm
R8-19-VM	M8	19 mm	25 mm
R8-25-VM	M8	25 mm	25 mm
R8-32-VM	M8	32 mm	25 mm
R6-13-VM	M6	13 mm	25 mm
R6-19-VM	M6	19 mm	25 mm
R6-25-VM	M6	25 mm	25 mm

V-Magnets



Part Number	Thread	A	B	C
R20-11-RS	1/4-20	1"	0.50"	1"
R6-2525-RS	M6	25 mm	13 mm	25 mm

Rotating Standoffs*

* Used for holding parts against stop



Part Number	Thread 1	A	B	Thread 2
R20-6-SOA	1/4-20	1"	1"	M6
R20-8-SOA	1/4-20	1"	1"	M8
R20-10-SOA	1/4-20	1"	1"	M10
R20-12-SOA	1/4-20	1"	1"	M12
R20-516-SOA	1/4-20	1"	1"	5/16-18
R20-38-SOA	1/4-20	1"	1"	3/8-16
R8-14-SOA	M8	25 mm	25 mm	1/4-20
R6-20-SOA	M6	25 mm	25 mm	1/4-20
R6-8-SOA	M6	25 mm	25 mm	M8
R4-14-SOA	M4	19 mm	15 mm	1/4-20

Standoff Adapters

