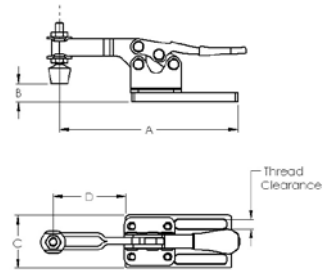


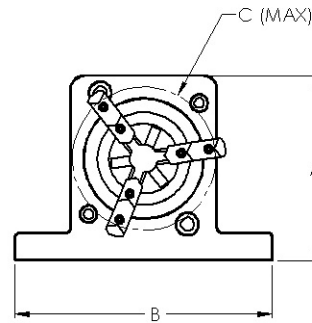
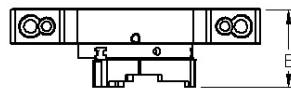
Part Number	Thread	A	B	C	D
R20-SDC	1/4-20	3.6"	0.15"	1"	0.6"
R20-LDC	1/4-20	5.030"	0.48"	15"	2.03"
R8-SDC	M8	25.4 mm	3.8 mm	25.4 mm	15.2 mm
R8-LDC	M8	127.8 mm	12.2 mm	38.1 mm	51.6 mm
R6-SDC	M6	91.4 mm	3.8 mm	25.4 mm	15.2 mm
R6-LDC	M6	127.8 mm	12.2 mm	38.1 mm	51.6 mm

Hold Down Clamps



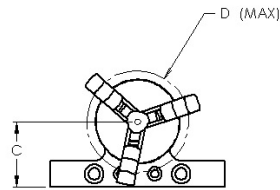
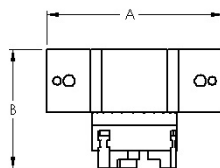
Part Number	Thread	A	B	C
R20-CJ3	1/4-20	5"	7"	3.75"
R8-CJ3	M8	127 mm	177.8 mm	95 mm
R6-CJ3	M6	127 mm	177.8 mm	95 mm

3 Jaw Chucks



Part Number	Thread	A	B	C	D
R20-CJ3-R	1/4-20	4"	2.727"	15"	2.32"
R8-CJ3-R	M8	101.6 mm	69.27 mm	38.1 mm	59 mm
R6-CJ3-R	M6	101.6 mm	69.27 mm	38.1 mm	59 mm

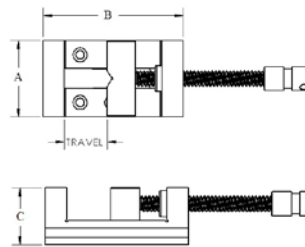
Rotational 3 Jaw Chucks



Part Number	Thread	A	B	C	Max Opening
R20-MV-2125	1/4-20	2.4"	4.40"	1.75"	2.2"
R8-MV-2125	M8	61 mm	111.75 mm	44 mm	55.90 mm
R6-MV-2125	M6	61 mm	111.75 mm	44 mm	55.90 mm

Vices

*Optional Rotational Base Available



Part Number	A	B	C	Max Opening
R-MV-A	0.625"	1.69"	1.6"	0.84"
R-MV-B	0.625"	2"	1.78"	0.84"

Offered in 1/4-20, M6 and M4 thread

Mini Vices

